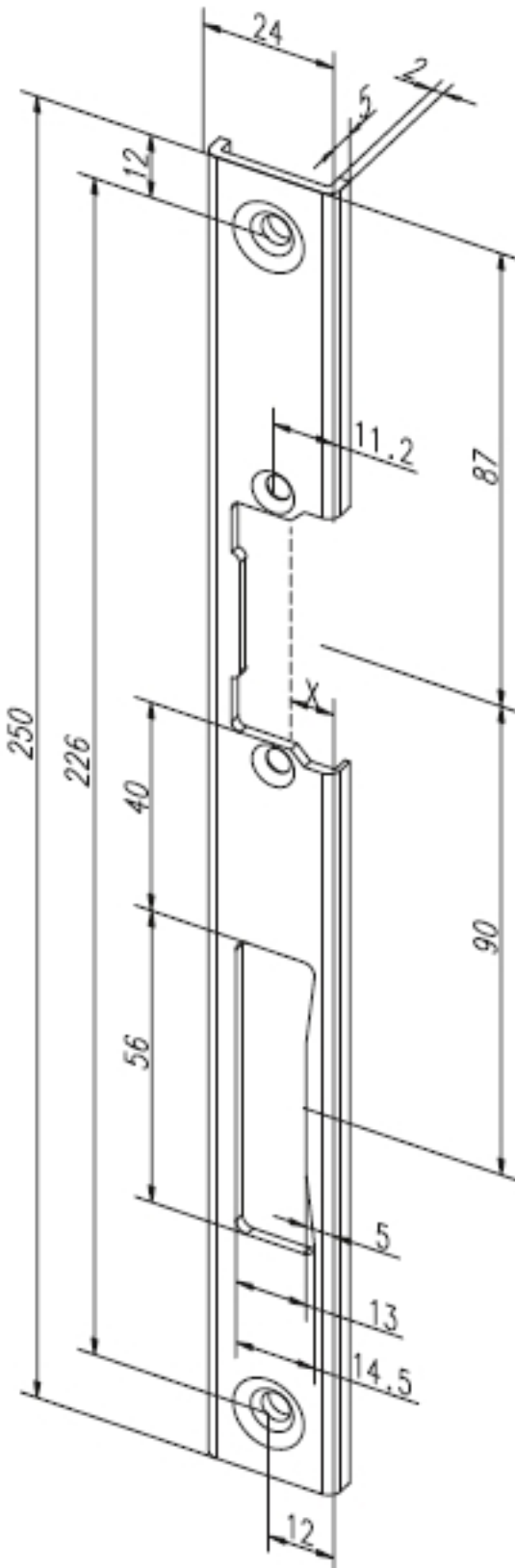


# effeff 391-NZ Длинная накладка U-формы (запорная планка) U-striking plate no. 391



Плоская запорная планка с вырезами под язычок и ригель.  
Для пластиковых профилей



Flat striking plate with latch bolt aperture and dead bolt cutout.

### The advantages at a glance

- U-striking plate

Technical attributes	
Length	250 mm
Width	24 mm
Thickness	2 mm
Dead bolt cutout	Yes
Keep guide	No

Surface	DIN direction	Order no.
35 Stainless steel	4 Left	-----39135-04
35 Stainless steel	5 Right	-----39135-05

### Current strike strike-plate combinations

Model	Order no.
14	14----391 ** **
14RR	14RR--391 ** **
17	17----391 ** **
116	116---391 ** **
17RR	17RR--391 ** **
116RR	116RR--391 ** **
342U	342U--391 ** **
342URR	342URR-391 ** **

\*\* = Surface  
\*\*\* = voltage variant and DIN-direction

The calculation of the X-dimension can be found on page 6.