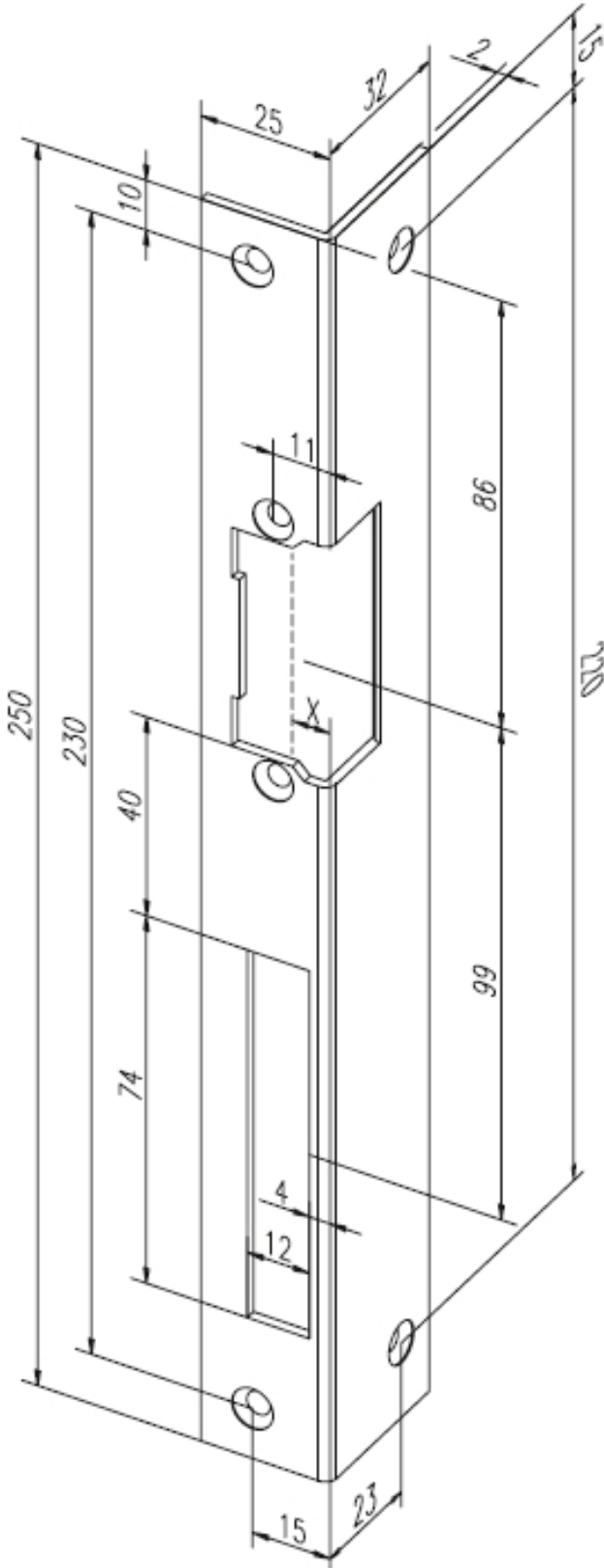


effeff 066 IW Длинная угловая накладка (запорная планка) Angled striking plate no. 066



Стандартная угловая запорная планка с вырезами под язычок и ригель.



Standard angled striking plate with latch bolt aperture and dead bolt cutout.

| Technical attributes | |
|----------------------|--------|
| Length | 250 mm |
| Width | 25 mm |
| Thickness | 2 mm |
| Depth | 32 mm |
| Dead bolt cutout | Yes |
| Keep guide | No |

| Surface | DIN direction | Order no. |
|--------------------|---------------|---------------|
| 01 Gold | 4 Left | -----06601-04 |
| 01 Gold | 5 Right | -----06601-05 |
| 02 Grey | 4 Left | -----06602-04 |
| 02 Grey | 5 Right | -----06602-05 |
| 04 White | 4 Left | -----06604-04 |
| 04 White | 5 Right | -----06604-05 |
| 05 Black | 4 Left | -----06605-04 |
| 05 Black | 5 Right | -----06605-05 |
| 31 Polished brass | 4 Left | -----06631-04 |
| 31 Polished brass | 5 Right | -----06631-05 |
| 35 Stainless steel | 4 Left | -----06635-04 |
| 35 Stainless steel | 5 Right | -----06635-05 |
| 40 Zinc-coated | 4 Left | -----06640-04 |
| 40 Zinc-coated | 5 Right | -----06640-05 |

Current strike strike-plate combinations

| Model | Order no. |
|-------|-------------------|
| 14EFF | 14EFF--066 ** *** |
| 14RR | 14RR--066 ** *** |
| 17E | 17E---066 ** *** |
| 27E | 27E---066 ** *** |
| 116E | 116E--066 ** *** |
| 17RR | 17RR--066 ** *** |
| 116RR | 116RR--066 ** *** |

** = Surface
*** = voltage variant and DIN-direction

The calculation of the X-dimension can be found on page 6.