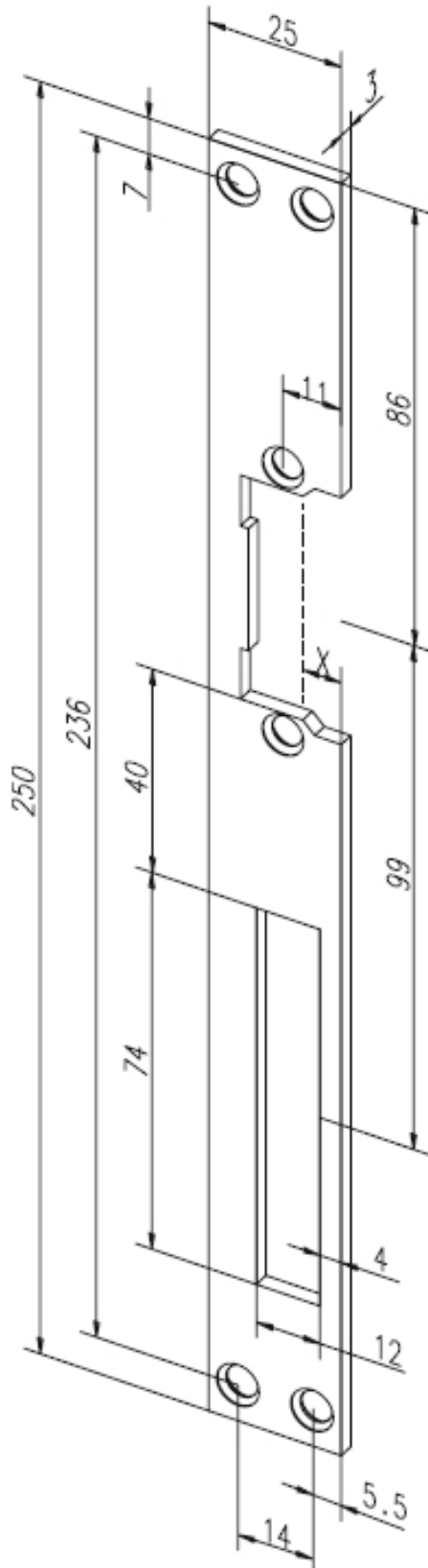


# effeff 021 HZ Длинная плоская накладка (запорная планка) Flat striking plate no. 021



Стандартная плоская запорная планка с вырезами под язычок и ригель.  
Возможна установка DIN слева или справа



Standard - flat striking plate with latch bolt aperture and dead bolt cutout.

### The advantages at a glance

- DIN left and right usable

| Technical attributes |        |
|----------------------|--------|
| Length               | 250 mm |
| Width                | 25 mm  |
| Thickness            | 3 mm   |
| Dead bolt cutout     | Yes    |
| Keep guide           | No     |

| Surface            | DIN direction | Order no.     |
|--------------------|---------------|---------------|
| 01 Gold            | 1 Universal   | -----02101-01 |
| 02 Grey            | 1 Universal   | -----02102-01 |
| 04 White           | 1 Universal   | -----02104-01 |
| 35 Stainless steel | 1 Universal   | -----02135-01 |
| 40 Zinc-coated     | 1 Universal   | -----02140-01 |

### Current strike strike-plate combinations

| Model  | Order no.           | Model | Order no.         |
|--------|---------------------|-------|-------------------|
| 116RR  | 116RR--02135 ** *** | 27E   | 27E---021 ** ***  |
| 14RR   | 14RR---02135 ** *** | 126E  | 126E---021 ** *** |
| 17RR   | 17RR---02135 ** *** | 136   | 136---021 ** ***  |
| 142U   | 142U---021 ** ***   | 118E  | 118E---021 ** *** |
| 142UR  | 142UR--021 ** ***   | 128E  | 128E---021 ** *** |
| 142US  | 142US--021 ** ***   | 138   | 138---021 ** ***  |
| 142USR | 142USR-021 ** ***   | 611E  | 611E---021 ** *** |
| 14EFF  | 14EFF--021 ** ***   | 143   | 143---021 ** ***  |
| 116E   | 116E---021 ** ***   | 111U  | 111U---021 ** *** |
| 17E    | 17E---021 ** ***    |       |                   |

\*\* = Surface

\*\*\* = voltage variant and DIN-direction

The calculation of the X-dimension can be found on page 6.